



COMMERCIAL VEHICLE AUCTIONS LTD
THE UK'S MOST ESTABLISHED COMMERCIAL VEHICLE AUCTIONEERS

Carr Hill Industrial Estate
Doncaster
DN4 8DE

01302 732600 | cva.noreply@cva-auctions.co.uk

VEHICLE INSPECTION REPORT

PN66WNZ

Fiat Doblo 1.3 MULTIJET 16V 95PS

Inspection		Vehicle	
Serious Damage?	No	VAT	Plus VAT
		V5	Present

Details					
Reg. date	18/10/2016	VIN	ZFA26300006D71740	CAP Below	£1,075.00
Year	2016	Body Style	Panel Van L1	Gearbox	MANUAL
Mileage	134,783 Miles Warranted	MOT Due	17/10/2026	Gears	5
Fuel Type	Diesel	CAP Clean	£1,800.00		
Colour	WHITE	CAP Average	£1,500.00		

KEEPS GOING INTO LIMP MODE AND WON'T DRIVE OVER 30MPH SIDE LOADING DOOR, TOW BAR

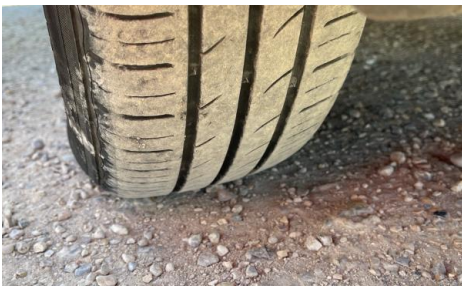
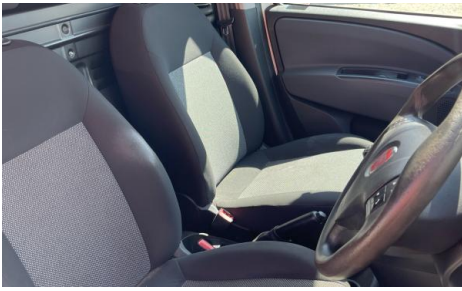
Tyres
NSF
NSR
OSF
OSR
Spare

Features

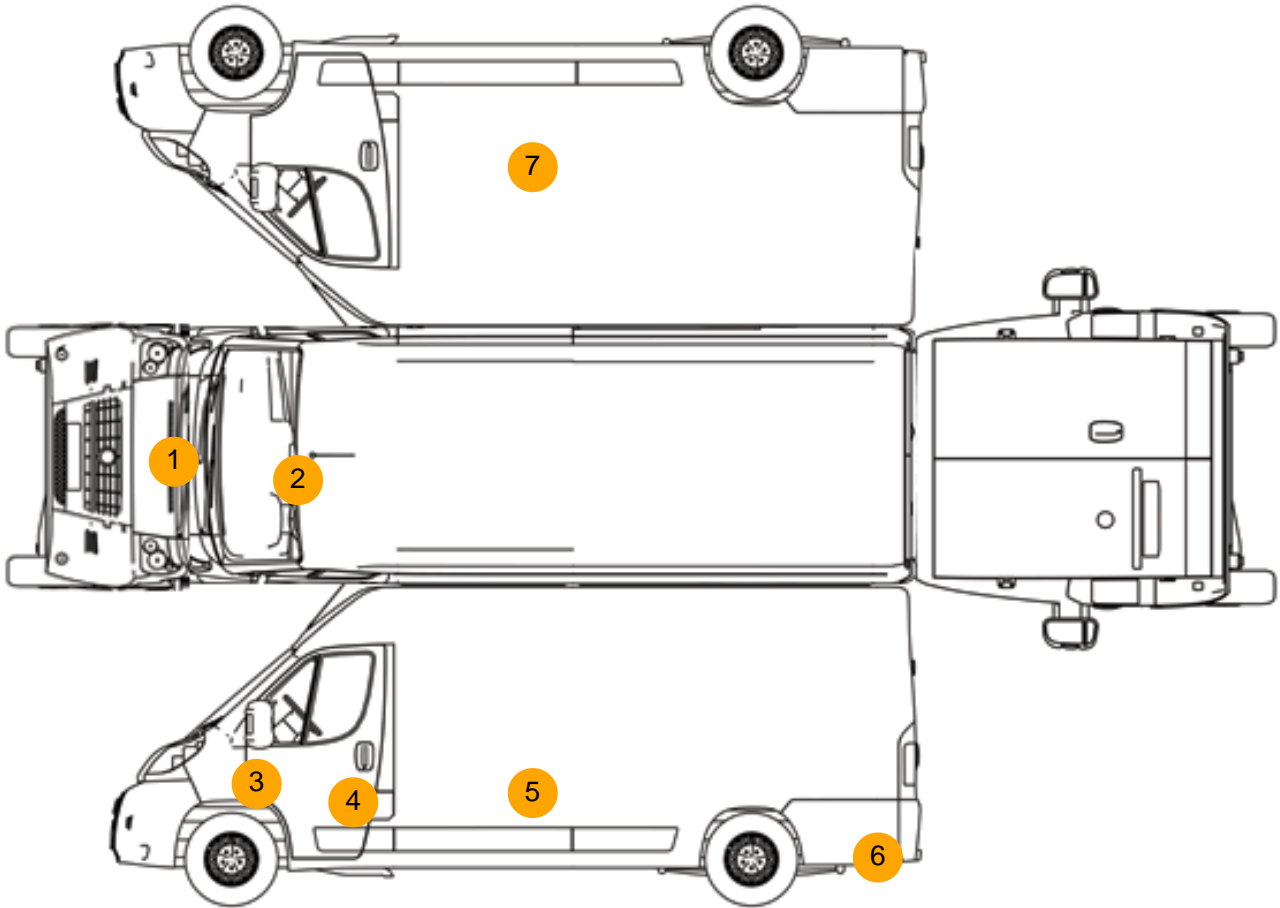
- Front electric windows

Photos





Condition Check

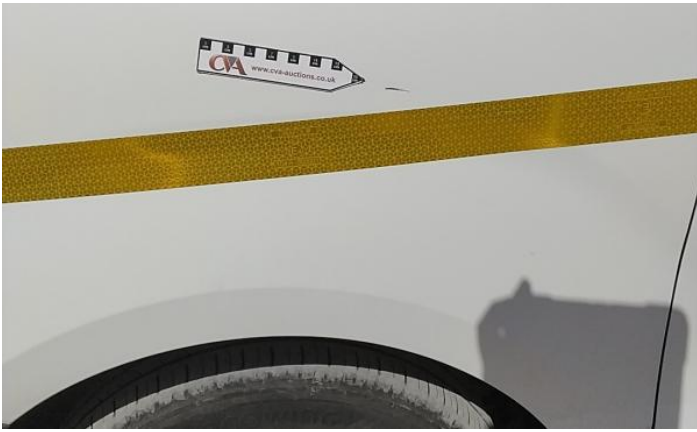


Damage Photos



1: Bonnet
Chipped
Multiple Chips

2: Screen Front
Chipped
UpTo 10mm



3: Wing nsf
Scratched
UpTo 25mm Thru Paint

4: Door nsf
Dented
Over 2 UpTo 10mm



5: Door nsr
Dented
Between 10mm + 30mm

6: Bumper Rear Moulding
Scuffed (Unpainted)
Over 100mm



7: Qtr Panel osr
Dented
With Paint Damage

Interior

Carpet Condition	Average	Upholstery Condition	Average
Seat Condition	Average	Odour	No
Engine Runs	OK	Gearbox 1st and Reverse Test	OK
Brakes	OK	Clutch Slip Test from Static	OK
Parking Brake	OK	Gearbox Static Gear Selection (engine running)	OK
		No Excessive Smoking	OK
EML light illuminated	OK	Oil warning light illuminated	OK
Airbag light illuminated	OK	DPF light illuminated	OK
ABS light illuminated	OK	Service indicator light illuminated	OK