



COMMERCIAL VEHICLE AUCTIONS LTD
THE UK'S MOST ESTABLISHED COMMERCIAL VEHICLE AUCTIONEERS

Carr Hill Industrial Estate
Doncaster
DN4 8DE

01302 732600 | cva.noreply@cva-auctions.co.uk

VEHICLE INSPECTION REPORT

PE63NDJ

Daf LF 45.140

Inspection

Serious Damage? No

Vehicle

VAT Plus VAT
V5 Present

Details

Reg. date	29/10/2013	VIN	XLRAE45FF0L431997	Cab Type	DAY CAB
Year	2013	Body Style	Box Van	Gearbox	MANUAL
Mileage	655,900 Km Warranted	Service history	Yes	Axle Combi	4x2
Fuel Type	Diesel	Service documents	Printout	Rear Suspension	Steel
Colour	RED	MOT Due	31/07/2026	Tail Lift	Cantilever

COLLECTED AS NON-RUNNER, HEATER FAULT

Tyres

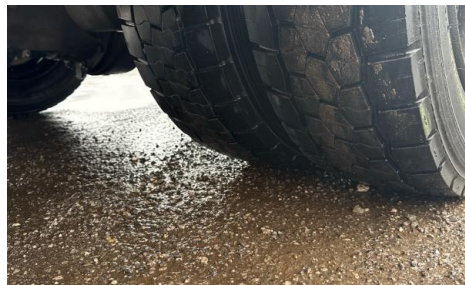
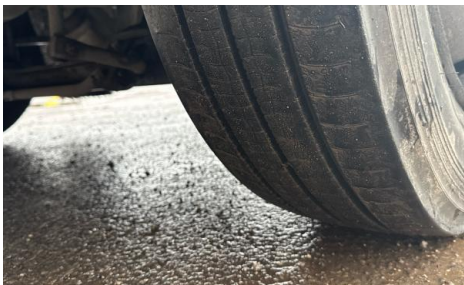
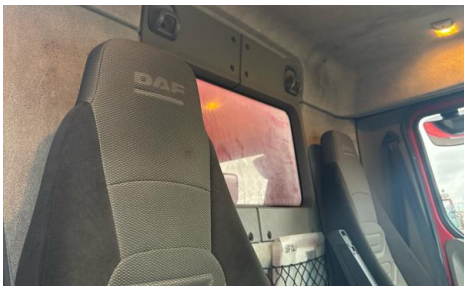
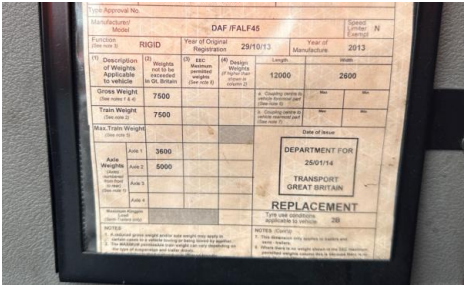
NSF	NSI1	NSI2	NSI3	NSI4
OSF	OSI1	OSI2	OSI3	OSI4
Spare	NSO1	NSO2	NSO3	NSO4
	OSO1	OSO2	OSO3	OSO4

Features

- Cruise control
- Cloth seat trim
- Radio/CD
- Front electric windows
- Central locking

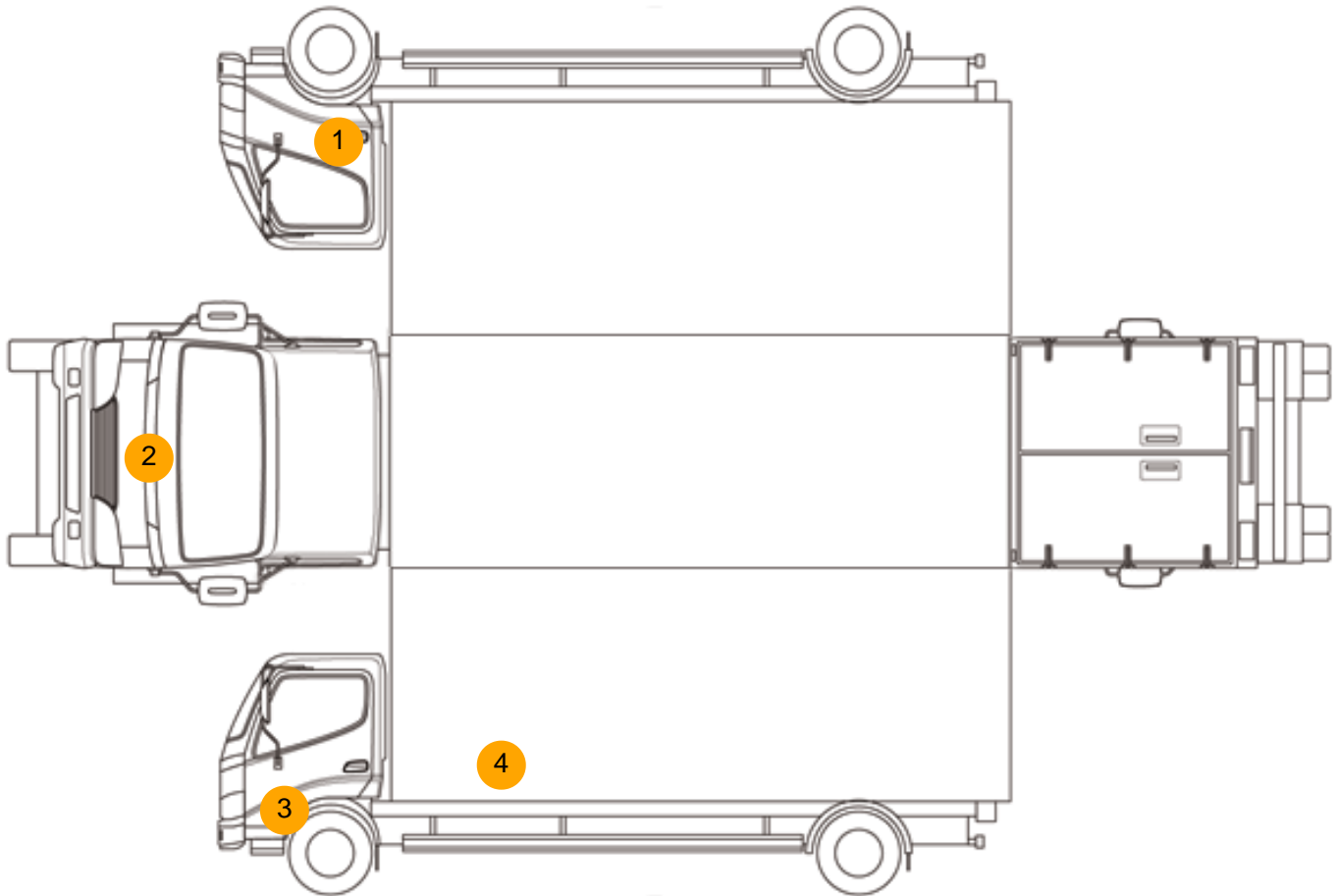
Photos







Condition Check



Damage Photos



1: Door osf
Chipped
Multiple Chips



2: Bonnet
Scratched
Over 25mm Thru Paint



3: Door nsf
 Chipped
 Multiple Chips

4: Qtr Panel nsr
 Scratched
 Over 25mm Thru Paint



5: Carpets Front
 Torn
 Over 10mm

Interior

Carpet Condition	Poor	Upholstery Condition	OK
Seat Condition	OK	Odour	-
Engine Runs	OK	No Excessive Smoking	OK
EML light illuminated	OK	DPF light illuminated	OK
ABS light illuminated	OK		